

# Cylinder Valves Markings

## Mandatory Markings

### Pi marking

Compliance to European  
Transportable Pressure Equipment  
Directive, TPED 2010/35/EU

### Identification of notified body

Four digit identification number  
for TPED notified body

### Standard compliance

Compliance to EN ISO 10297 standard.  
If ISO VB is marked on the valve, it  
indicates that the valve has been tested  
for Oxygen pressure surge test for use  
as a main valve



FRONT VIEW

### Inlet identification

Valve inlet connection which  
engages with the cylinder neck

### Outlet identification

Valve outlet connection  
which engages with the  
filling / discharge connection

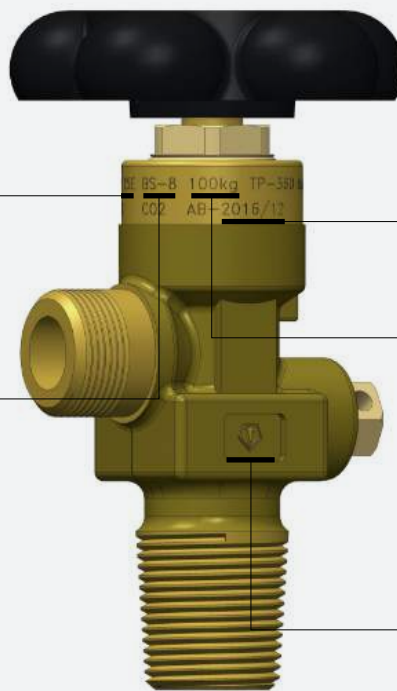
### Manufacturing date

YYYY/MM - Year & month of  
manufacture of valve

### Total package mass

Total package mass (combined mass of  
a gas cylinder, its valve, its permanent  
attachment(s) including valve guard &  
its maximum allowed gas content) for  
which the valve can be used without  
valve protection

### Manufacturer's identification

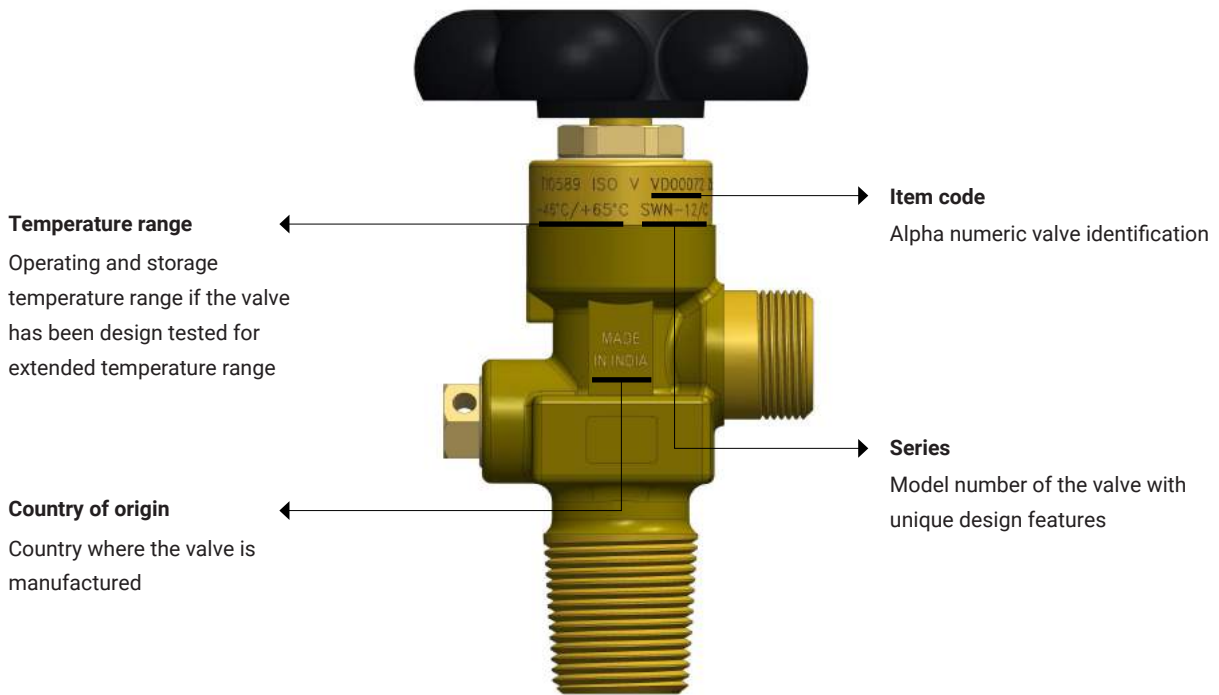


REAR VIEW

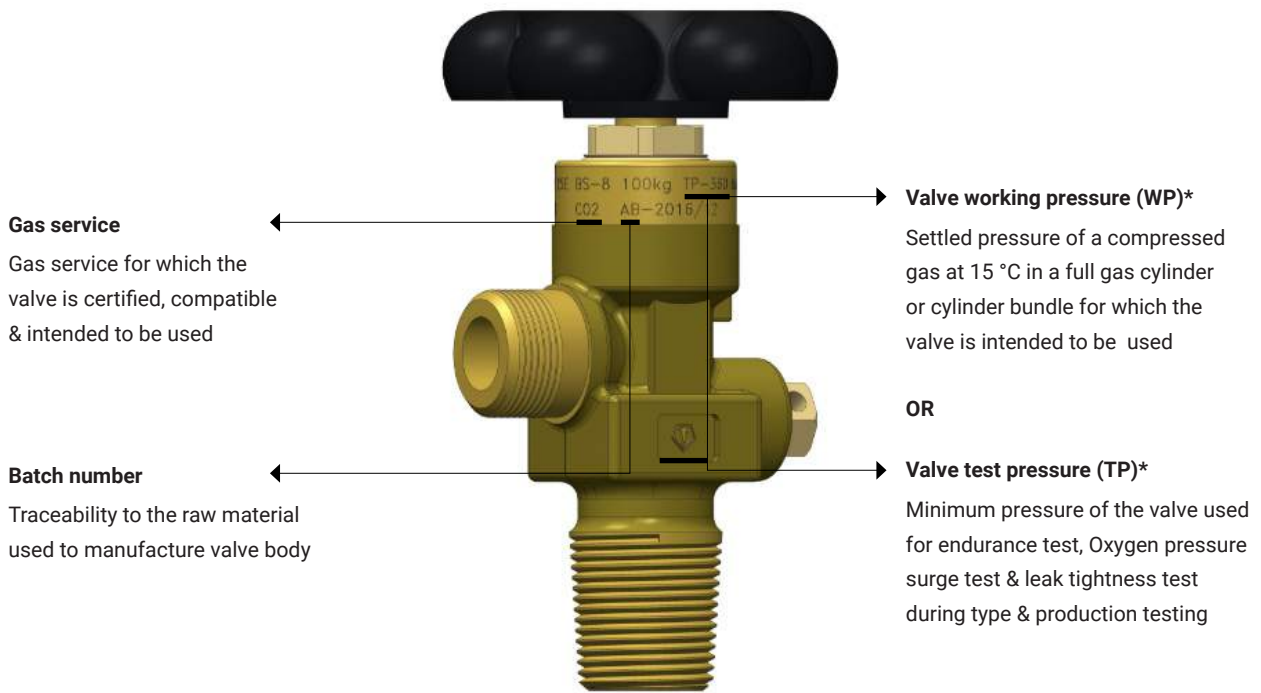
Markings shown are as per ISO 10297 & for illustration purpose.



## Optional Markings



**FRONT VIEW**



**REAR VIEW**

\* For compressed gas , test pressure = 1.2 x working pressure. For liquefied gas, test pressure shall be at least equal to the minimum test pressure corresponding to the applicable filling ratio.

Markings shown are as per ISO 10297 & for illustration purpose.

